

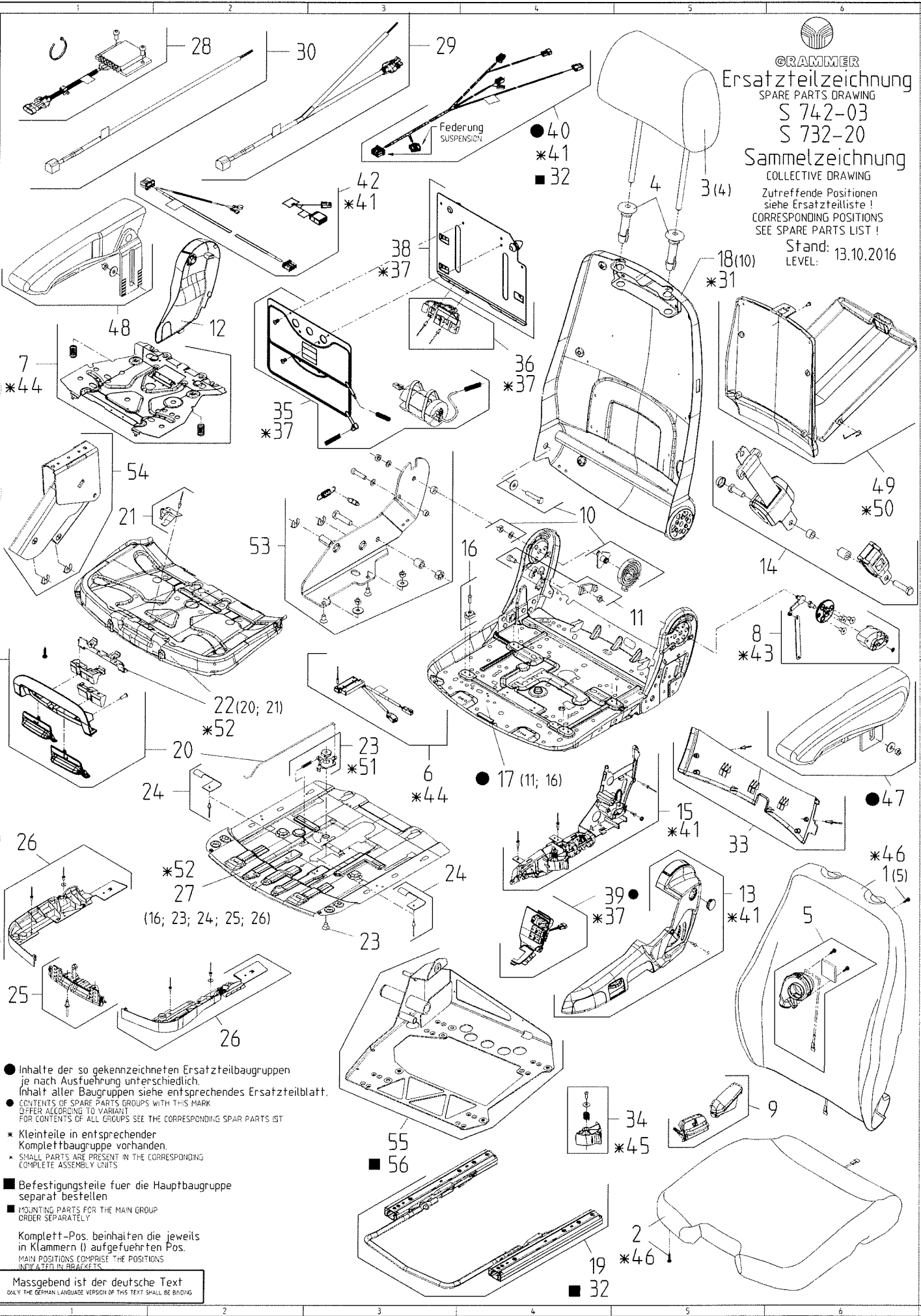


GRAMMER
 Ersatzteilzeichnung
 SPARE PARTS DRAWING
 S 742-03
 S 732-20

Sammelzeichnung
 COLLECTIVE DRAWING

Zutreffende Positionen
 siehe Ersatzteilliste!
 CORRESPONDING POSITIONS
 SEE SPARE PARTS LIST!

Stand: 13.10.2016
 LEVEL:



- Inhalte der so gekennzeichneten Ersatzteilbaugruppen je nach Ausführung unterschiedlich. Inhalt aller Baugruppen siehe entsprechendes Ersatzteilblatt.
- CONTENTS OF SPARE PARTS GROUPS WITH THIS MARK DIFFER ACCORDING TO VARIANT. FOR CONTENTS OF ALL GROUPS SEE THE CORRESPONDING SPARE PARTS LIST.
- * Kleinteile in entsprechender Komplettbaugruppe vorhanden.
- * SMALL PARTS ARE PRESENT IN THE CORRESPONDING COMPLETE ASSEMBLY UNITS.

- Befestigungsteile fuer die Hauptbaugruppe separat bestellen
- MOUNTING PARTS FOR THE MAIN GROUP ORDER SEPARATELY

Komplett-Pos. beinhalten die jeweils in Klammern () aufgeführten Pos.
 MAIN POSITIONS COMPRISE THE POSITIONS INDICATED IN BRACKETS.

Massgebend ist der deutsche Text
 ONLY THE GERMAN LANGUAGE VERSION OF THIS TEXT SHALL BE BINDING

Partslist S742-03/1294584 SPARE PARTS LIST FOR SEAT TOP
Cust.Mat-No.

Drawing-No: MSG95EL-03

| Pos | Id.-No. | Description | Qty. | Werkstoff Norm | Cu-Mat.-No. |
|-----|---------|-----------------------|------|-------------------|-------------|
| 1 | 1281298 | BACKREST CUSHION COM | 1 | | |
| 2 | 1288960 | SEAT CUSHION COMPL. | 1 | | |
| 3 | 1288973 | HEADREST EXTENSION C | 1 | | |
| 4 | 1117033 | GUIDING F.HEADREST C | 1 / | | |
| | | | / | | |
| 5 | 1099276 | FAN FOR ACTIVE CLIMA | 1 | | |
| 6 | 1178533 | SEAT SWITCH (OPS) CP | 1 | | |
| 7 | 1158829 | COMPENSATOR F. SEAT | 1 | | |
| 8 | 1098127 | BACKREST ANGLE ADJUS | 1 | | |
| 9 | 1099285 | HANDLE F. SWIVEL/HA/ | 1 | | |
| 10 | 1091158 | BACKREST BEARING KIT | 1 | | |
| 11 | 1136863 | END STOP F. BACKREST | 1 | | |
| 12 | 1298859 | COVER RS.CPL. | 1 / | | |
| 13 | 1165749 | COVER | 1 | | |
| 14 | 1137391 | SEAT BELT | 1 | | |
| 15 | 1099277 | SUPPORT FOR HANDLE C | 1 | | |
| 16 | 1091214 | GUIDING F. SDA. CPL. | 1 | | |
| 17 | 1178691 | SEAT PAN COMPL. | 1 | | |
| 18 | 1184729 | RUECKEN KPL. | 1 | | |
| 19 | 1137152 | ADJUSTMENT SLIDE BAT | 1 | | |
| 20 | 1136685 | TRIGGERING F.SDA./SA | 1 | | |
| 21 | 139257 | LEAF SPRING CPL. | 1 / | | |
| | | | / | | |
| 22 | 1099282 | SEAT ANGLE ADJUSTMEN | 1 | | |
| 23 | 139246 | LEVER F.SWIVEL/SDA.C | 1 / | | |
| | | | / | | |
| 24 | 1091428 | LEAF SPRING CPL. | 1 | | |
| 25 | 139254 | BRACKET F.SDA./SAA.C | 1 / | | |
| 26 | 139521 | COVER F.SDA./SAA.CPL | 1 / | | |
| | | | / | | |
| 27 | 1099281 | SEAT DEPTH ADJUSTMEN | 1 | | |
| 31 | 1136045 | SMALL PARTS BACKREST | 1 | | |
| 32 | 1184788 | MOUNTING PARTS F.ADJ | 1 / | | |
| | | | / | | |
| 33 | 1098126 | COVER COMPL. | 1 | | |
| 34 | 1099284 | HANDLE FOR SHOCK ABS | 1 | | |
| 35 | 1158840 | BALLOON F. AIR LUMBAR | 1 | | |
| 36 | 1128803 | DISTRIBUTOR CLIMATIS | 1 | | |
| 37 | 1158788 | SMALL PARTS AIR LUMB | 1 | | |
| 38 | 140974 | PLATE F. LUMBAR SUPP | 1 | | |
| 39 | 1158776 | TRIGGER F.LUMBAR SUP | 1 | | |
| 40 | 1158843 | WIRING HARNESS CPL. | 1 | | |
| 41 | 1136918 | SMALL PARTS LH COVER | 1 | | |
| 42 | 1158844 | WIRING HARNESS CPL. | 1 | | |
| 43 | 1136013 | SMALL PARTS BACKREST | 1 | | |
| 44 | 1136318 | SMALL PARTS SEAT SWI | 1 | | |
| 45 | 1137064 | SMALL PARTS HANDLE | 1 | | |
| 46 | 1135136 | SCREW Kit | 1 | | |
| 47 | 1281194 | ARMREST COMPL.LH. | 2 | | |
| 48 | 1281195 | ARMREST COMPL.RH. | 2 | | |
| 49 | 142259 | DOCUMENT BOX CPL | 1 | | |
| 50 | 1173358 | SMALL PARTS LITERATU | 1 / | | |
| | | | / | | |



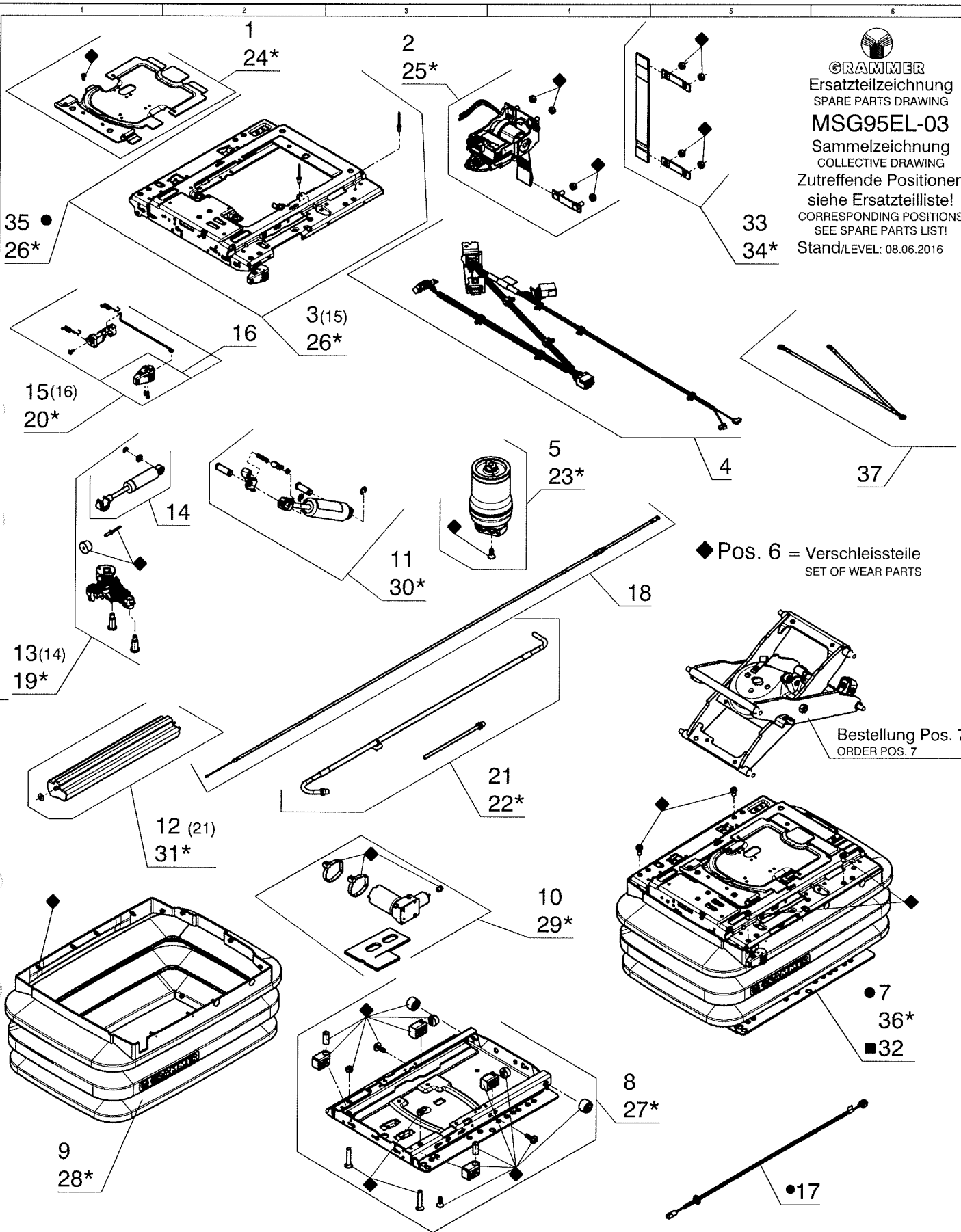
GRAMMER
Ersatzteilzeichnung
SPARE PARTS DRAWING

MSG95EL-03

Sammelzeichnung
COLLECTIVE DRAWING

Zutreffende Positionen
siehe Ersatzteilliste!
CORRESPONDING POSITIONS
SEE SPARE PARTS LIST!

Stand/LEVEL: 08.06.2016



◆ Pos. 6 = Verschleissteile
SET OF WEAR PARTS

Bestellung Pos. 7
ORDER POS. 7

■ Befestigungsteile fuer Baugruppen
■ MOUNTING PARTS FOR ASSEMBLY

● Ausstattung kann sich unterscheiden
● EQUIPMENT MAY TO DIFFERENTIATE

Massgebend ist der deutsche Text
ONLY THE GERMAN LANGUAGE VERSION OF THE TEXT SHALL BE BINDING

Komplett-Pos. beinhalten die jeweils in Klammer () aufgefuehrte Position
MAIN POSITION COMPRISE THE POSITIONS INDICATED IN BRACKETS ()

*entspricht Kleinteilen zur entsprechenden KPL.-Baugruppe
SAME AS SMALL PARTS FOR THE CORRESPONDING COMPLETE ASSEMBLY UNITS

Mit ◆ gekennzeichnete Teile sind als Verschleissteile erhaeltlich

WITH ◆ MARKED PARTS ARE AVAILABLE AS WEARING PARTS

Version 1-00

